

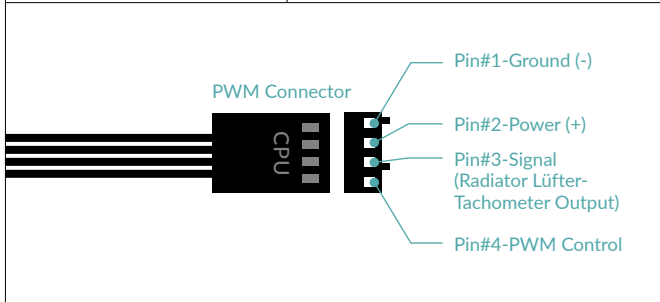
Liquid Freezer III 360

Multi Compatible All-in-One CPU Water Cooler

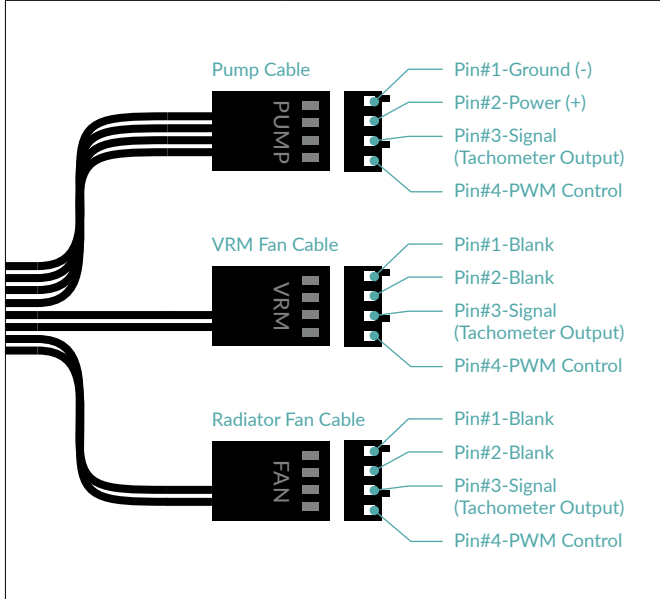


General Specifications

Compatibility	Intel® LGA1851, LGA1700 AMD® AM5, AM4
PI NNPI	338 309
TIM	MX-6 (0.8g)
Warranty	6 Years
Operating Ambient Temperature	0–40°C
Weight	1840g
All-In-One Connector	4-Pin PWM Connector



Split Connector	3x 4-Pin PWM Connector
-----------------	------------------------



Pump	800–2800rpm (PWM controlled)
Current Voltage	0.35 A 12 VDC
Cold Plate	Copper, Micro Skived Fins
Tube Length	450mm
Tube Diameter	Outer: 12.4 mm Inner: 6.0 mm
Radiator	
Material	Aluminium
Dimensions	398 (L) x 120 (W) x 38 (H) mm
VRM Modul	
VRM Fan	400–2500rpm (PWM controlled)
Current Voltage	0.05 A 12 VDC

Radiator Fan Specifications

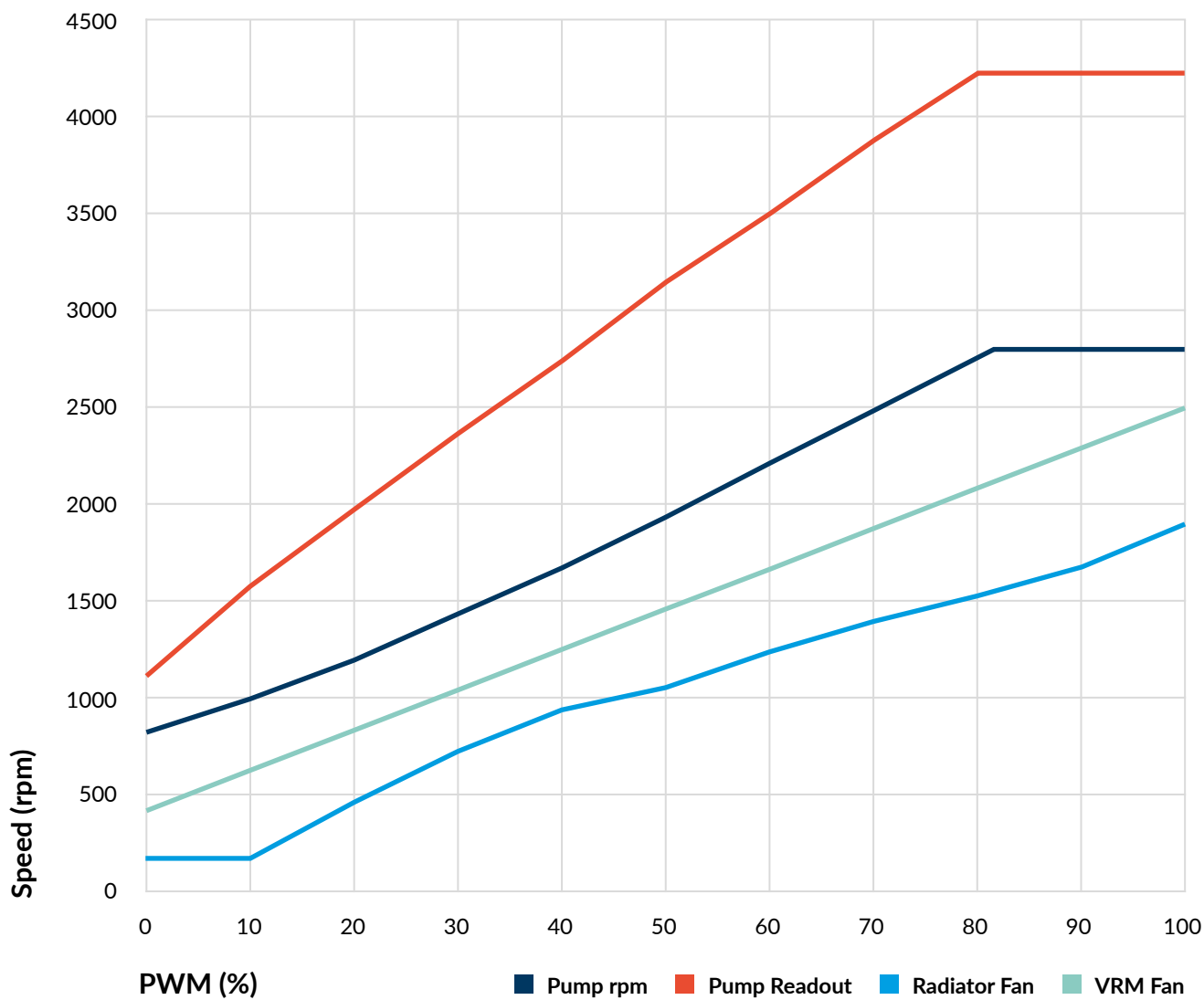
General	3x P12 PWM
Speed	200–1800 rpm
Airflow	56.30 cfm 95.65 m³/h
Static Pressure	2.20 mmH ₂ O
Bearing	Fluid Dynamic Bearing
Current Voltage	0.10 A 12 VDC
Cable Length	40 mm
Connector	4-Pin PWM Connector

Shipping Information - LF III 360 (Black)

Box Dimension	414 (L) x 167 (B) x 142 (H) mm
Gross Weight	2375g
SKU	ACFRE00136A
EAN	4895213704489
UPC	840033402255

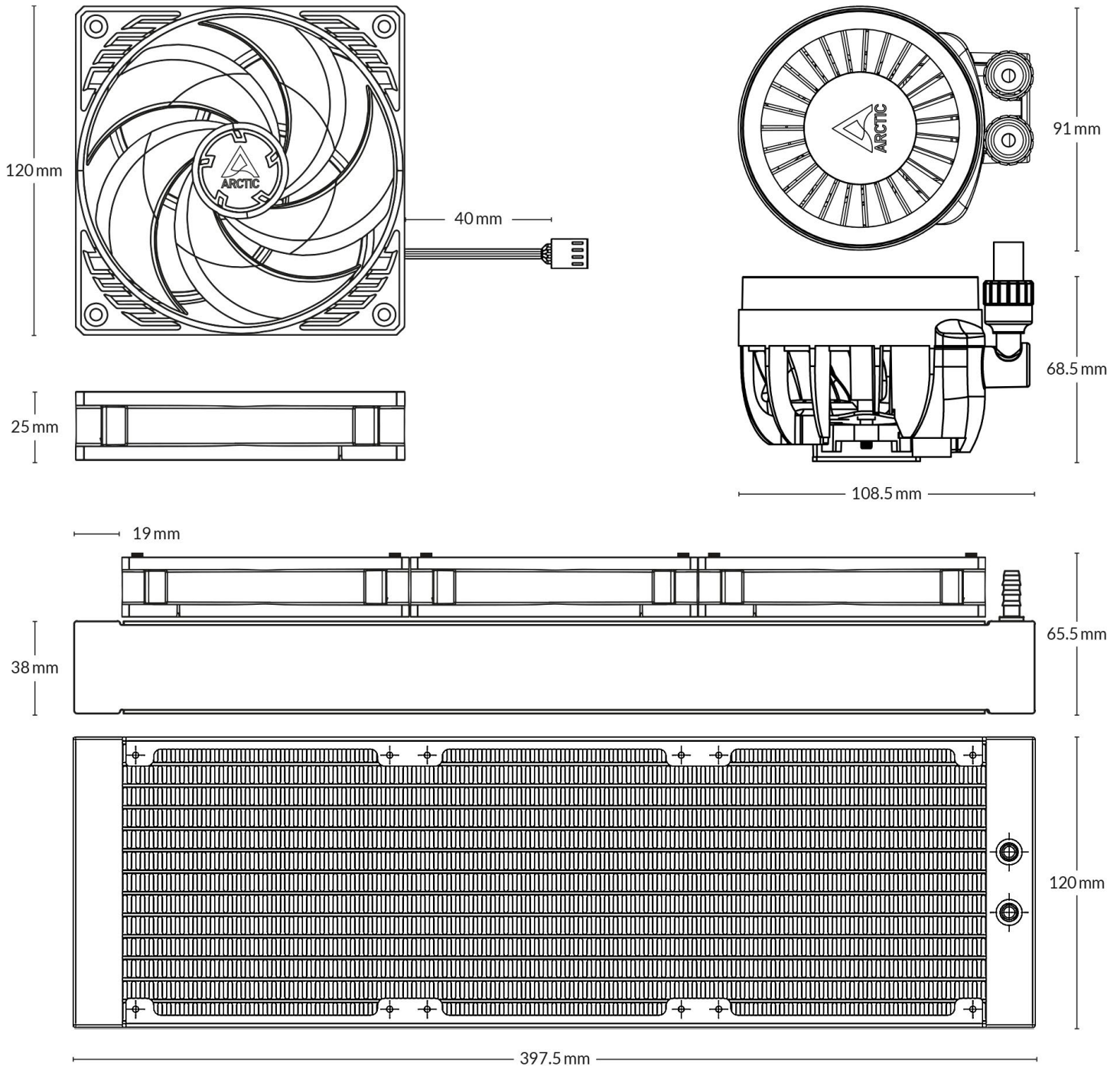
Liquid Freezer III 360

Multi Compatible All-in-One CPU Water Cooler



Liquid Freezer III 360

Multi Compatible All-in-One CPU Water Cooler



All materials are compatible with RoHS requirements.

MORE INFORMATION



MANUALS

