

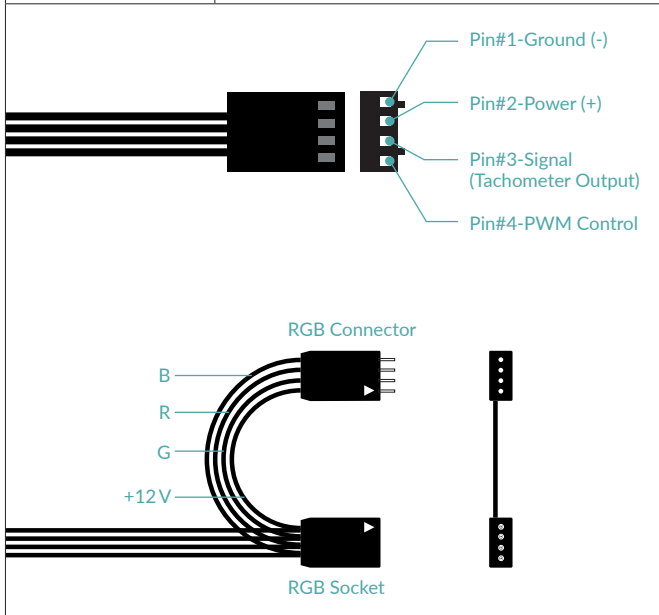
Liquid Freezer II 420 RGB

Multi Compatible All-in-One CPU Water Cooler with RGB



General Specifications

Compatibility	Intel® 1700, 1200, 115X, 2011-3*, 2066* *Square ILM AMD® AM4, AM3(+)
TIM	MX-5 (0.8 g)
Pump & Fan Connector	4-Pin Connector
LED Connector	4-Pin 12V-G-R-B Connector with Y-splitter
Weight	2019 g (3 Fans, Radiator, Pump, Tubes)



Pump/Cold Plate Specifications

VRM Fan	40 mm, 1000–3000 rpm (Controlled by PWM)
Pump	800–2000 rpm (PWM gesteuert)
Power Consumption	0.5 W–2.7 W Pump and VRM Fan
Tube Length	450 mm
Tube Diameter	Outer: 12.4 mm Inner: 6.0 mm
Dimensions	78 (L) x 53 (W) x 98 (H) mm

Fan Specifications

Speed	200–1900 rpm
Airflow	68.9 cfm 117.06 rpm
Static Pressure	2 mm H ₂ O
Noise Level	0.3 Sone
Fan Dimensions	140 (L) x 140 (W) x 27 (H) mm
Speed Control	Pulse Width Modulation
Bearing	Fluid Dynamic Bearing
Current/Voltage	0.17 A/12 V
RGB Specifications	
LEDs	12 RGB LEDs
Current/Voltage	0.2 A/12 V

Radiator Specifications

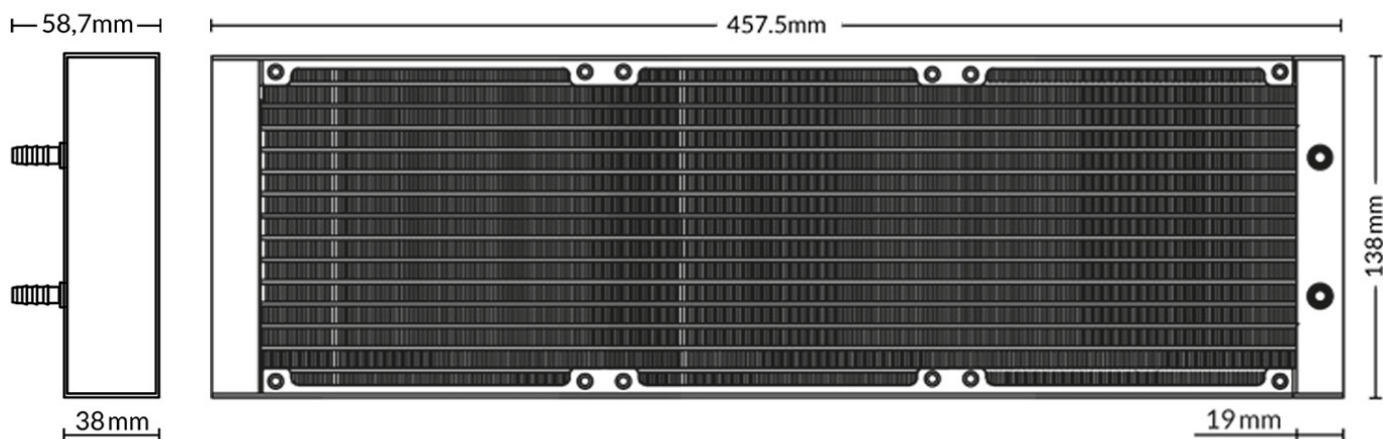
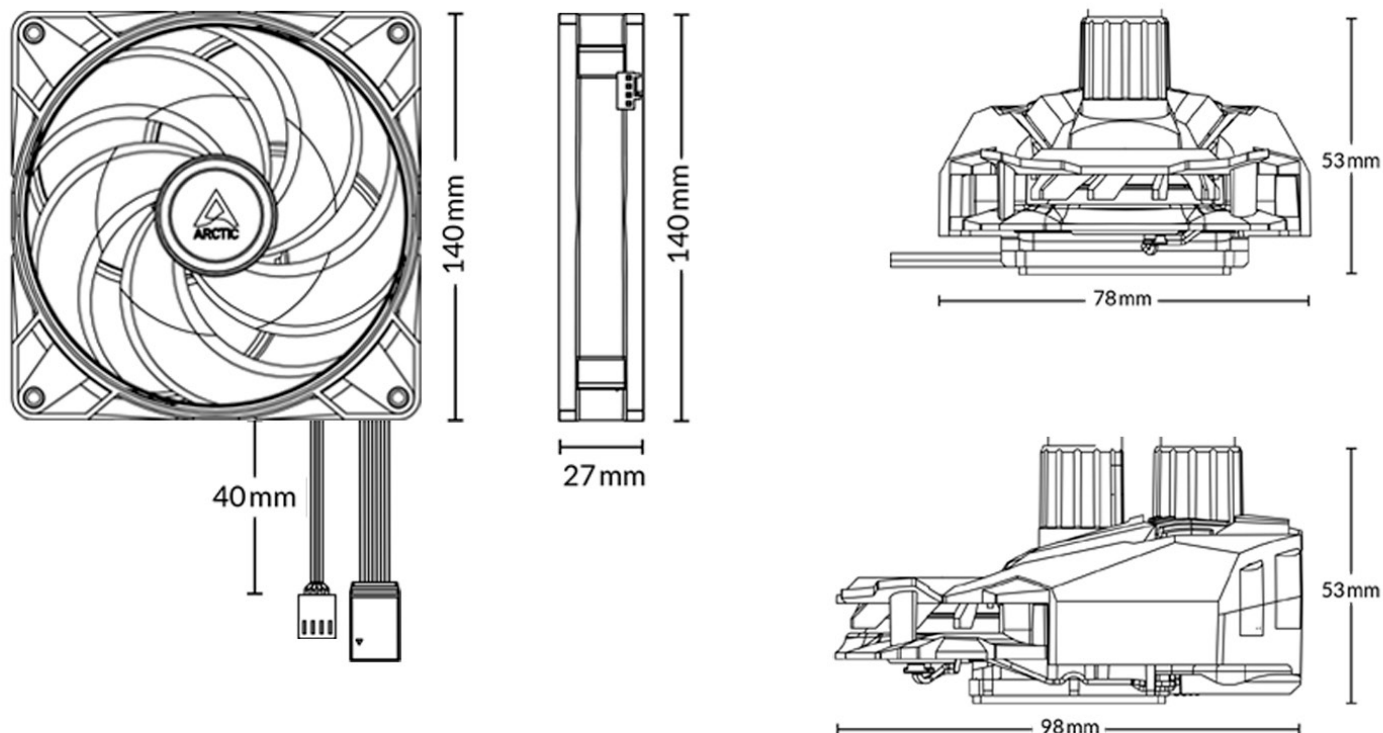
Material	Aluminum
Dimensions	458 (L) x 53 (W) x 138 (H) mm

Shipping Information

Warranty	6 years
Box Dimension	447 (L) x 158 (W) x 328 (H) mm
Gross Weight	2788 g
SKU	ACFRE00110A
EAN	4895213703390
UPC	840033401203

Liquid Freezer II 420 RGB

Multi Compatible All-in-One CPU Water Cooler with RGB



All materials are compatible with RoHS requirements



Product Information



Manual